

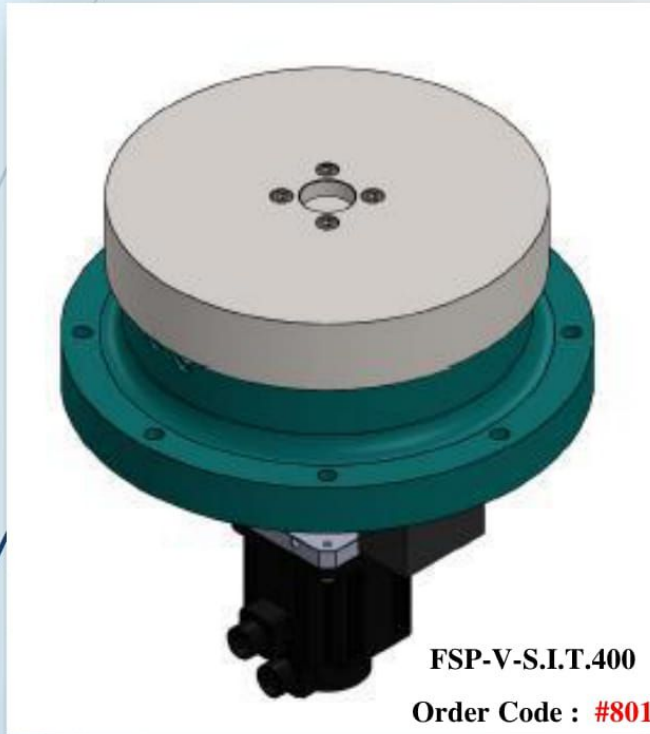
**Vertical Servo Index Table. 400****Technical Data**

Table Top Dimension	400 mm
Top Face Parallelity	0.01 mm
Weight Handline Capacity	750 kg
Max Index Angle	180 Degrees
Min Index Angle	15 Degrees
Rotation Direction	CW, CCW
Rotation Servo Motor	2 kw - 2000 RPM
Gearbox Ratio	1 : 50
Indexing Accuracy	± 6 s
Working Pressure	Max 30 bar
Weight	240 kg
Color	



