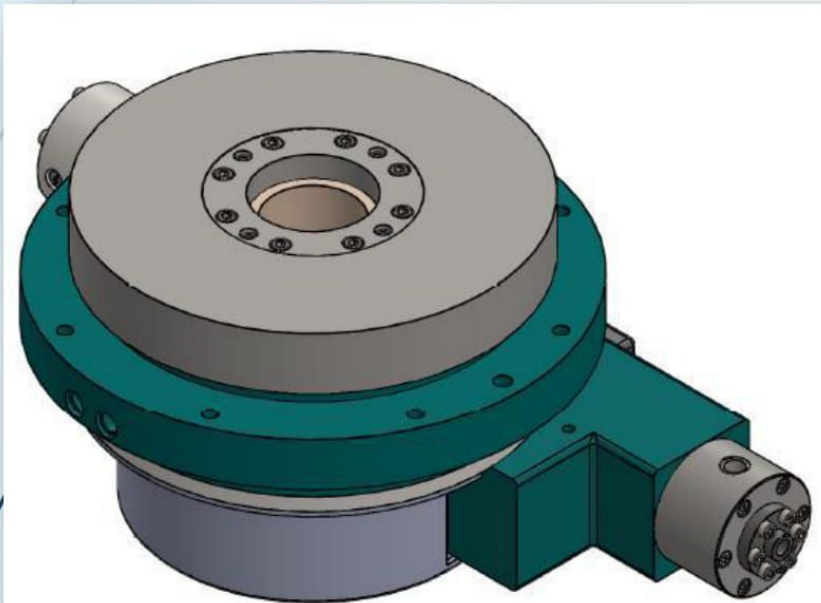




## Vertical Hydraulic Index Table. 400



**FSP- V.H.I.T.400**

**Order Code : #803**

### Technical Data

Table Top Dimension	400 mm
Top Face Parallelity	0.01 mm
Weight Handline Capacity	750 kg
Table Lift	5 mm
Max Index Angle	180 Degrees
Min Index Angle	15 Degrees
Rotation Direction	CW, CCW
Indexing Accuracy	$\pm 6$ s
Working Pressure	Max 30 bar
Weight	200 kg
Color	



